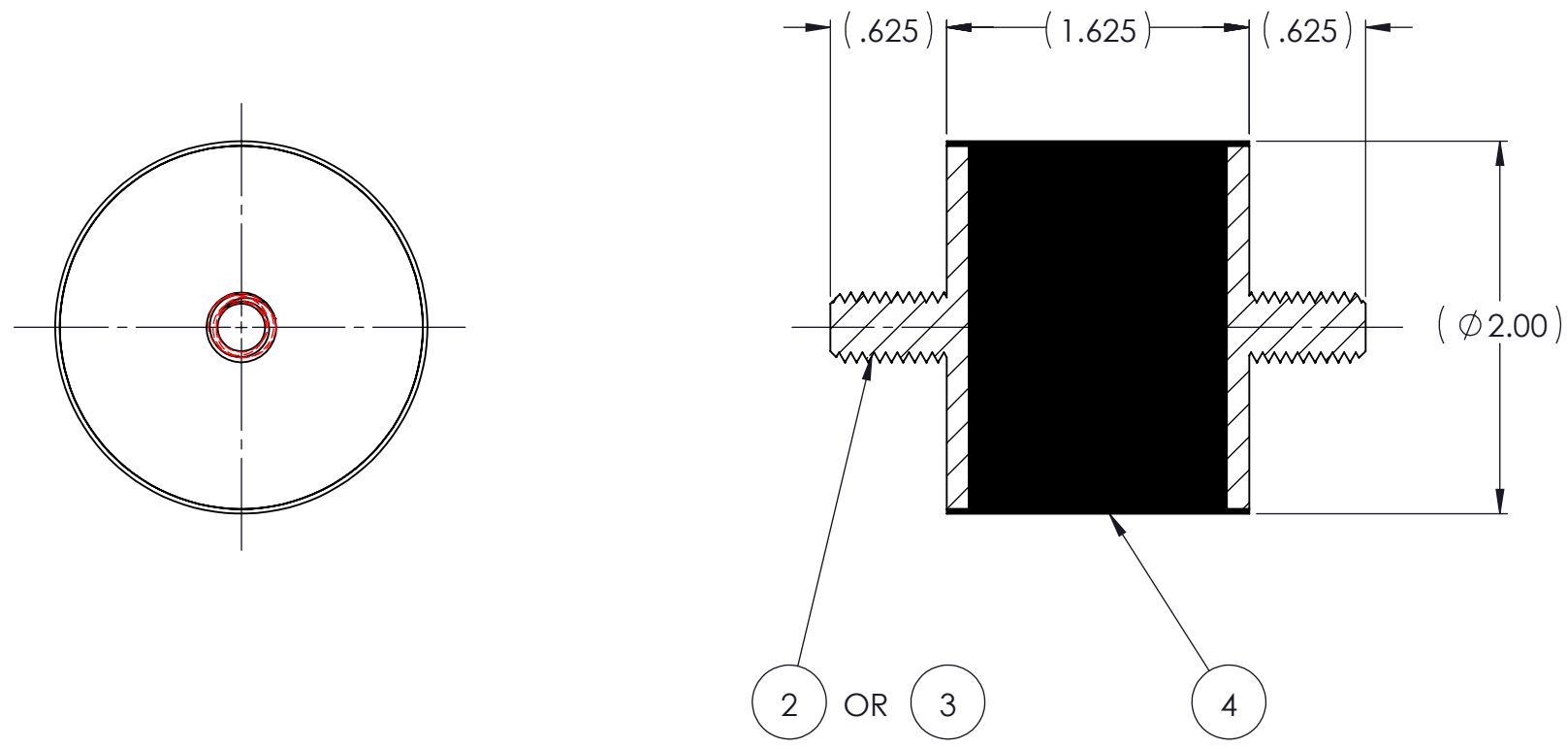
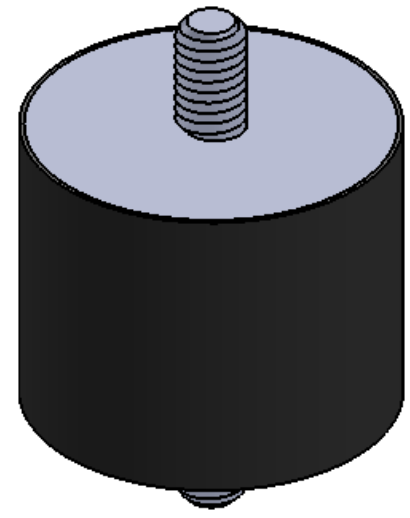


REVISIONS			
REV.	DESCRIPTION	DATE	APPROVED
1	INITIAL RELEASE OF DRAWING	10/2/2014	BS



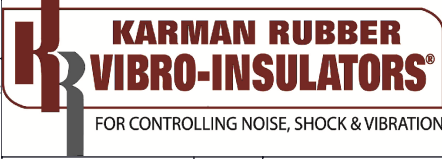
NOTES:

- 1 MATERIAL: ELASTOMER AND DUROMETER OF 40, 50, 60 OR 70 TO BE SPECIFIED.
- 2 ALL DIMENSIONS ARE REFERENCE.
- 3 AVAILABLE WITH THREADS OF 3/8-16 UNC AND M10 X 1.5.

QTY.	DESCRIPTION	PART NUMBER	MATERIAL OR NOTES	ITEM
AR	ELASTOMER	K65-4	1	4
2	MK650-M10	MK650-M10		3
2	MK650	MK650		2
	K65	K65		1

PROPRIETARY AND CONFIDENTIAL THE INFORMATION CONTAINED IN THIS DRAWING IS THE SOLE PROPERTY OF KARMAN RUBBER. ANY REPRODUCTION IN PART OR AS A WHOLE WITHOUT THE WRITTEN PERMISSION OF KARMAN RUBBER IS PROHIBITED.	SIGNATURE		DATE
	DRAWN	B. SENEAL	10/02/2014
	CHECK	S. BROWN	10/02/2014
	ENGR	B. SENEAL	10/02/2014
	QA		
	STRESS		
APPR			

UNLESS OTHERWISE SPECIFIED:  
 DIMENSIONS ARE IN INCHES  
 TOLERANCES:  
 .X = ± 0.031  
 .XXX = ± 0.005  
 ANGLES = ± 1°  
 INTERPRET GEOMETRIC TOLERANCING PER: ASME Y14.5M-1994



TITLE: **K65 SERIES VIBRO-INSULATOR**  
[WWW.KARMAN.COM](http://WWW.KARMAN.COM)

SIZE	CAGE CODE	DWG. NO.	REV
<b>B</b>		<b>K65</b>	<b>1</b>
DO NOT SCALE DRAWING		SCALE: 1:1	WEIGHT: 5.45 OZ. SHEET 1 OF 1